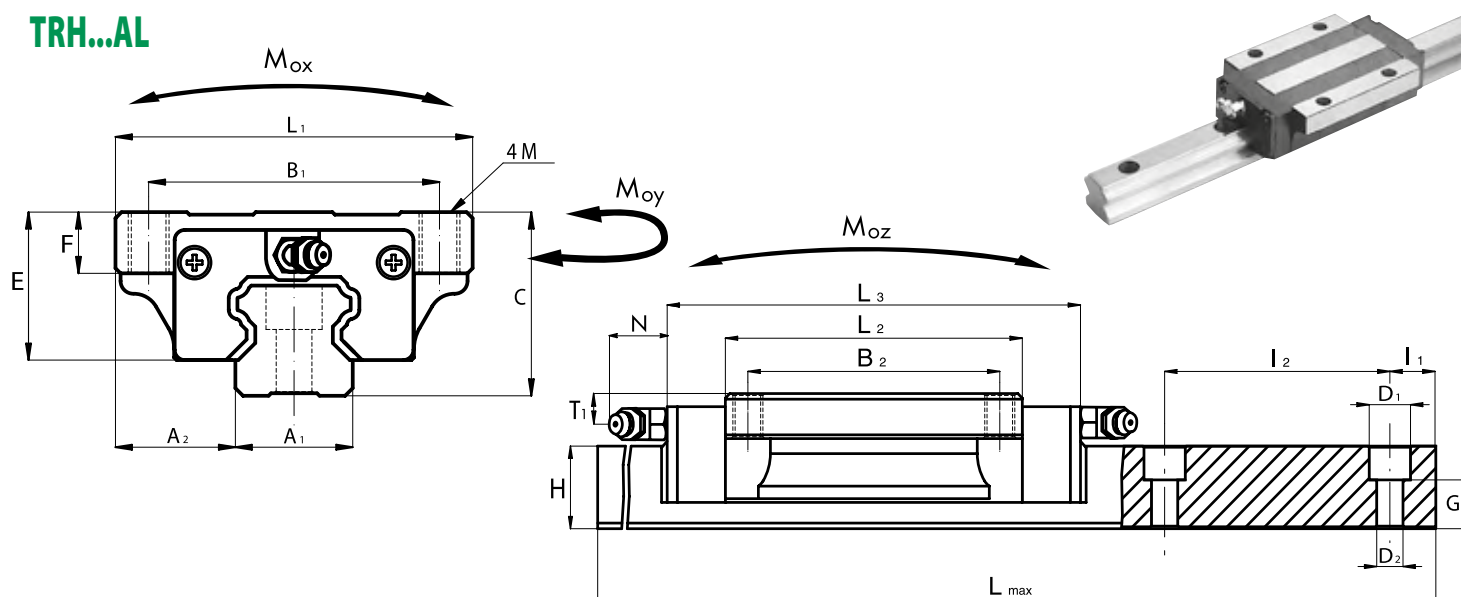


TRH...AL



DIMENSIONI / DIMENSIONS

CARRELLO BLOCK	DIMENSIONI / DIMENSIONS															
	Guida Rail	Tappo fori guida Rail holes cap	A ₁ [mm]	A ₂ [mm]	B ₁ [mm]	B ₂ [mm]	M [mm]	C [mm]	E [mm]	F [mm]	H [mm]	⁽¹⁾ I ₁ [mm]	I ₂ [mm]	L ₁ [mm]	L ₂ [mm]	L ₃ [mm]
TRH20AL	BR20	C20	20	21.5	53	40	M 6x9	30	25	9	18	20	60	63	63.4	92.4
TRH25AL	BR25	C25	23	23.5	57	45	M 8x12	36	29	12	22	20	60	70	79.1	110.1
TRH30AL	BR30	C30	28	31	72	52	M 10x12	42	33	12	26	20	80	90	94.3	131.3
TRH35AL	BR35	C35	34	33	82	62	M 10x13	48	38.5	13	29	20	80	100	105.8	144.8
TRH45AL	BR45	C45	45	37.5	100	80	M 12x15	60	46	15	38	22.5	105	120	129.8	173
TRH55AL	BR55	C55	53	43.5	116	95	M 14x20	70	55	20	38	30	120	140	156.1	205.1

DIMENSIONI / DIMENSIONS

CARATTERISTICHE MECCANICHE
MECHANICAL CHARACTERISTICSPESO
WEIGHT

CARRELLO BLOCK	DIMENSIONI / DIMENSIONS									CARATTERISTICHE MECCANICHE MECHANICAL CHARACTERISTICS					PESO WEIGHT	
	Guida Rail	Tappo fori guida Rail holes cap	Foro lub. Oil hole [mm]	T ₁ [mm]	N [mm]	D ₁ [mm]	D ₂ [mm]	G [mm]	L _{max} [mm]	C ₀ [kN]	C [kN]	M _{0x} [Nxm]	M _{0y} [Nxm]	M _{0z} [Nxm]	Pattino Block [kg]	Rotaia Rail [kg/m]
TRH20AL	BR20	C20	M6x1	5	16.6	9.5	6	9.5	4000	33.3	19	286	234	234	0.52	2.6
TRH25AL	BR25	C25	M6x1	5	16.6	11	7	13	4000	56	29.9	504	448	434	0.72	3.6
TRH30AL	BR30	C30	M6x1	7	16.6	14	9	14	4000	71.9	39	785	650	650	1.4	5.2
TRH35AL	BR35	C35	M6x1	8	16.6	14	9	17	4000	92.7	52.3	1250	950	950	2.0	7.2
TRH45AL	BR45	C45	M8x1	10	16.6	20	14	21	4000	149.5	83.3	2670	2100	2100	3.6	12.3
TRH55AL	BR55	C55	M8x1	11	16.6	23	16	24	4000	220.6	128.2	4730	3800	3750	6.4	16.9

(1) Misura consigliata. Altre misure a richiesta. In mancanza di specifica indicazione la misura I1 sarà uguale per entrambe le estremità.

(1) Suggested dimension. Other dimensions on request. With no specific request, the I1 values on both ends will be the same.